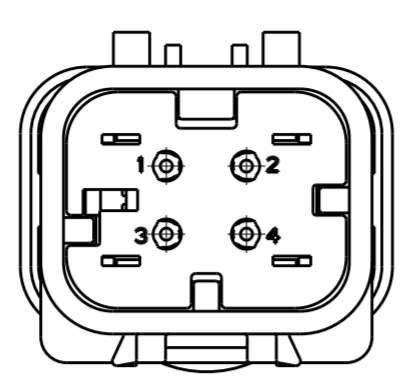
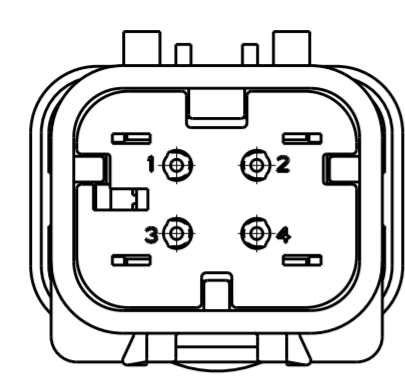
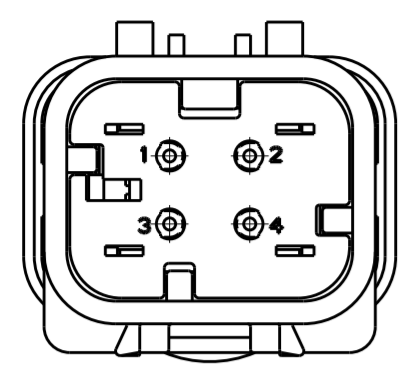


THIS DRAWING IS UNPUBLISHED
RELEASED FOR PUBLICATION
COPYRIGHT 20 BY - ALL RIGHTS RESERVED.

REVISIONS					
P	LTR	DESCRIPTION	DATE	DWN	APVD
	C	REVISED PER ECO-13-019168	05DEC2013	DR	RB

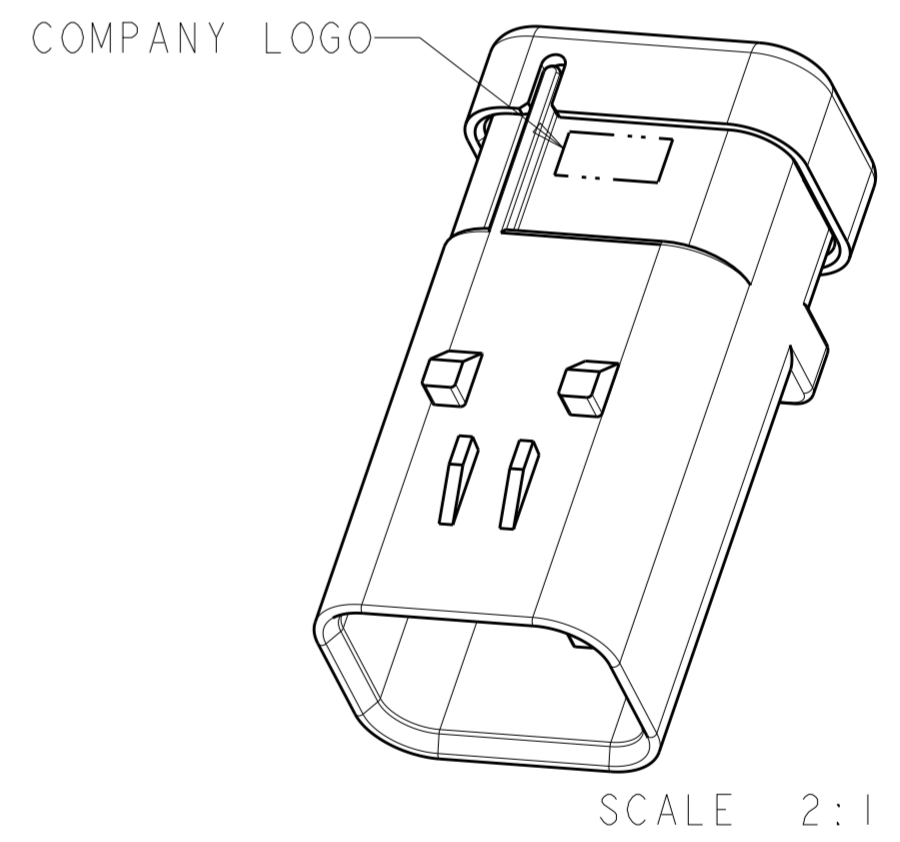
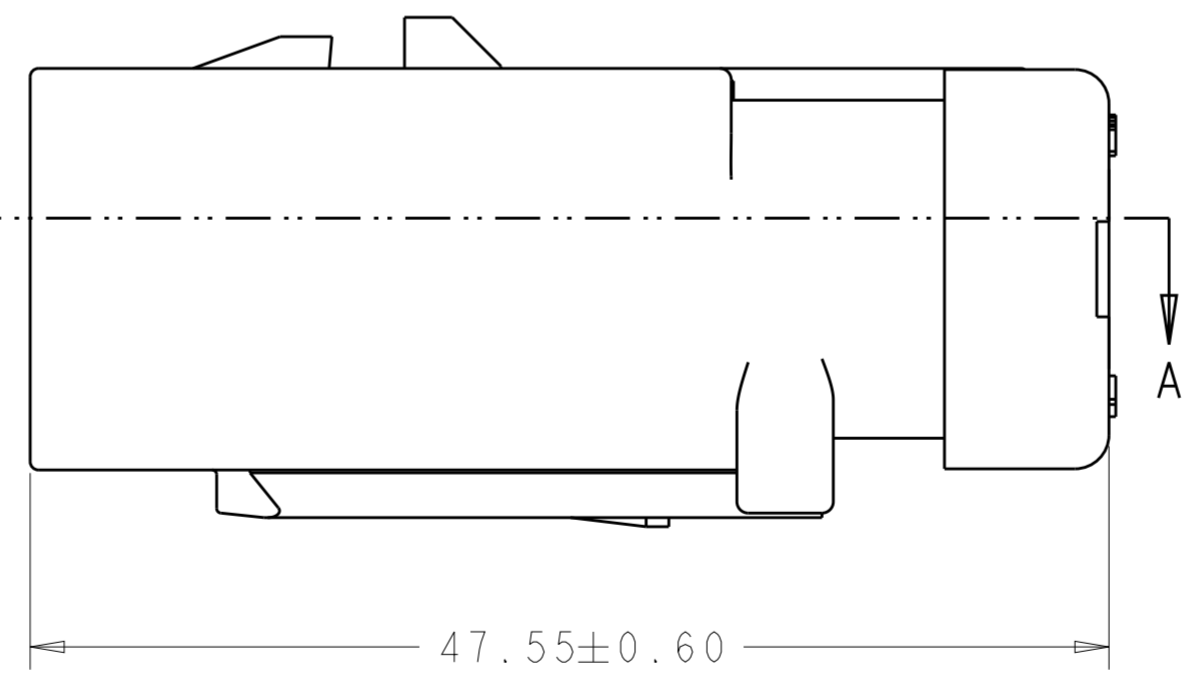
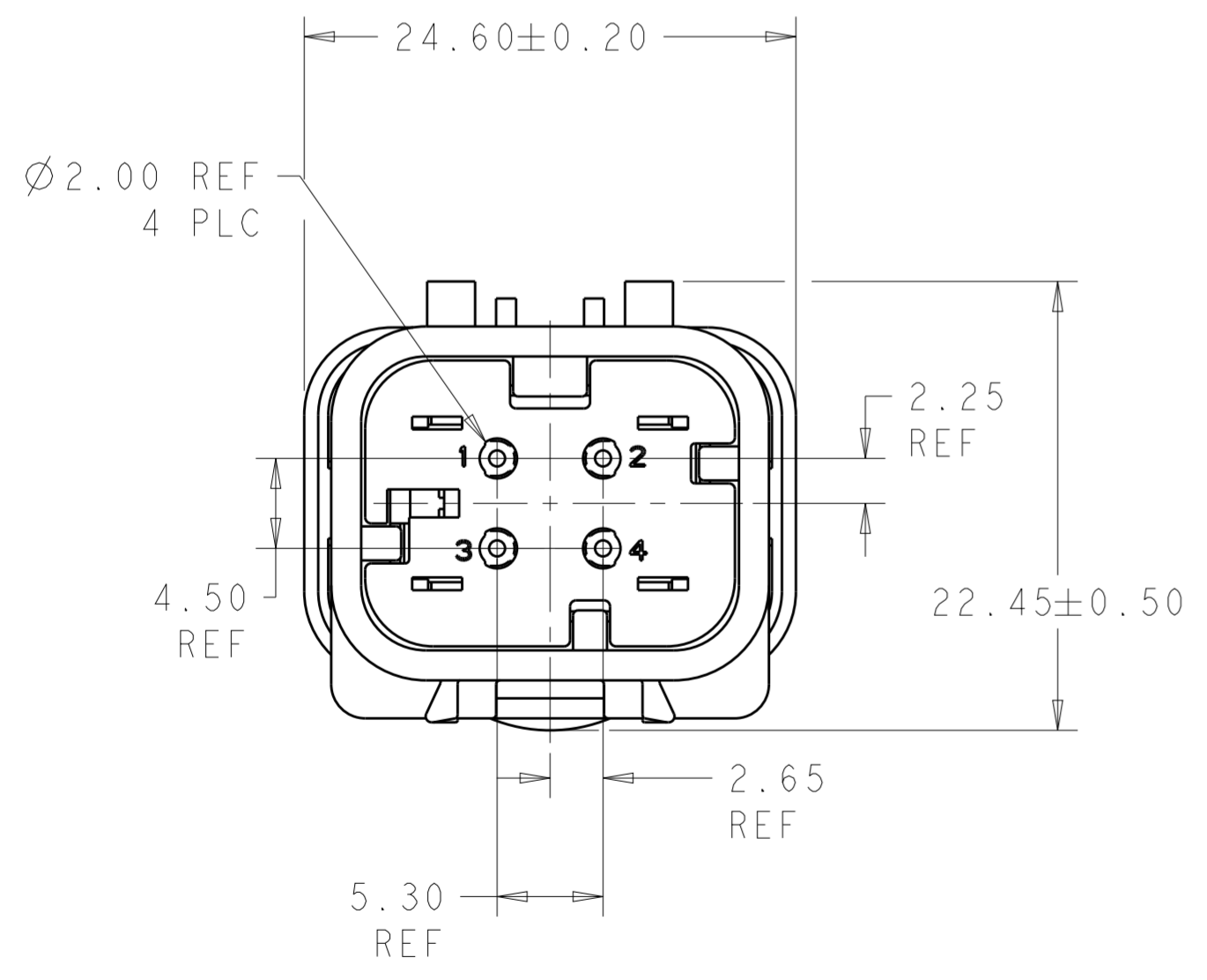
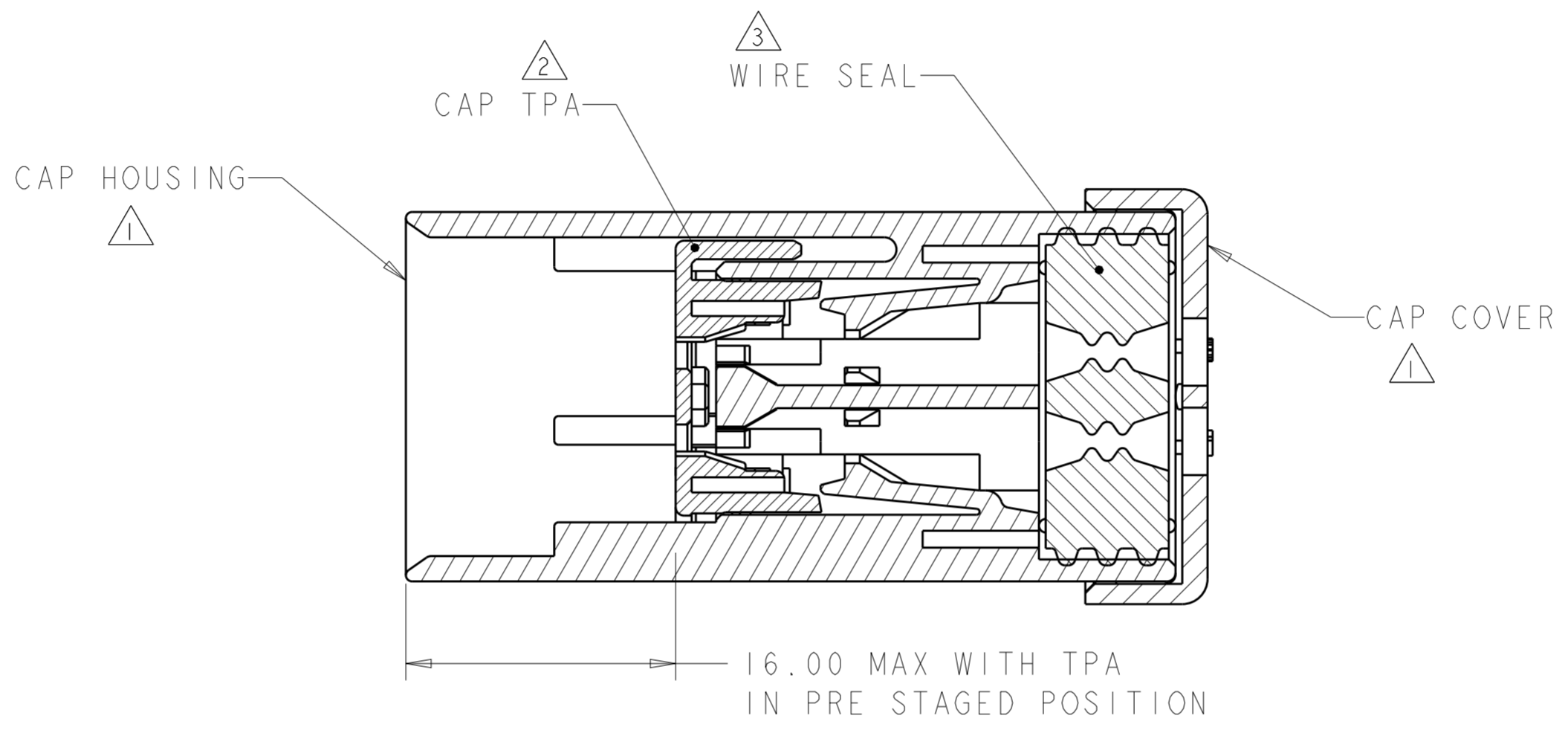


1 MATERIAL: 15% GLASS FILLED THERMOPLASTIC
COLOR: BLACK

2 MATERIAL: 15% GLASS FILLED THERMOPLASTIC
COLOR: (SEE TABLE)

3 MATERIAL: SILICONE
COLOR: RUST

4. RECOMMENDED WIRE DIAMETER RANGE IS 1.30 TO 2.54mm



GREEN	776536-4
YELLOW	776536-3
GRAY	776536-2
RED	776536-1
TPA COLOR	PART NUMBER

THIS DRAWING IS A CONTROLLED DOCUMENT.

DIMENSIONS:	TOLERANCES UNLESS OTHERWISE SPECIFIED:	DWN	04SEP03
mm	0 PLC ±	W. HOELSCHER	04SEP03
	1 PLC ±	CHK	04SEP03
	2 PLC ±	J. PATTERSON	04SEP03
	3 PLC ±	APVD	04SEP03
	4 PLC ±	D. KLEIN	04SEP03
	ANGLES ±	PRODUCT SPEC	108-2184
	FINISH -	APPLICATION SPEC	114-13065
MATERIAL	-	WEIGHT	14
-	-	Customer Drawing	

STE TE Connectivity

NAME: CAP ASSEMBLY, 4 POSITION, 2 ROW, AMPSEAL 16 CONNECTOR REDUCED DIA WIRE SEAL

SIZE	CAGE CODE	DRAWING NO	RESTRICTED TO
A200779	C-776536		-

SCALE 3:1 SHEET 1 OF 1 REV C